



Type miniature compact design needle valves are ideal for bubble tight shut-off in applications where space is at a premium. The mini series are available with metal to metal low torque seating (Stem Type YS). Available with end connections in sizes 1/8" to 1/4" and as pipe connections.

Applications

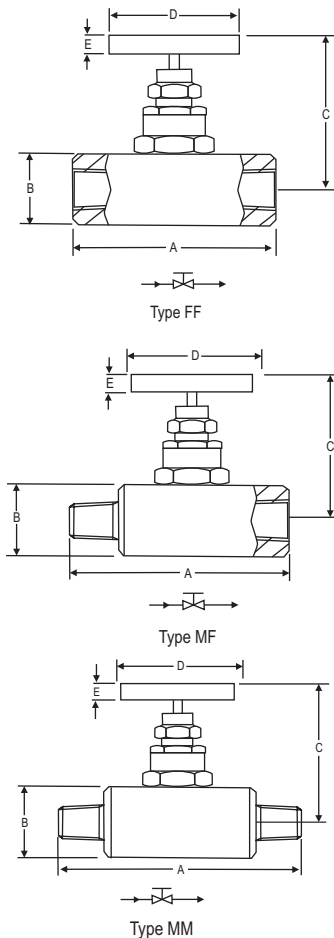
- Instrument air lines
- Control panels
- Air header assemblies
- Gas sampling
- Laboratory equipment
- Instrument isolation
- Control loops
- Gas and liquid service

Technical specifications

Design Pressure	: 3000 PSI
Max temp.	: 240°C
Gland Packing	: PTFE
Stem packing area	: Burnished finish for smooth valve operation.
Safety Feature	: Back seating for preventing stem blowout.
Feature	: Metal to metal seating Material Stainless Steel

Size	Type	Body dimensions		Height (open) C	Handle D	Handle OD E
		A	B			
1/8"	FxF	50	22	56	40	10
	MxF	56	22	56	40	10
	MxM	60	22	56	40	10
1/4"	FxF	55	22	56	40	10
	MxF	50	22	56	40	10
	MxM	60	22	56	40	10
3/8"	FXF	55	25	56	40	10
	MXF	55	25	56	40	10
	MXM	55	25	56	40	10
1/2"	FXF	60	28	50	40	10
	MXF	65	28	50	40	10
	MXM	50	28	50	40	10

All dimensions are in mm



Notes : • Drawings are not to scale.
• All Dimensions are in mm.

Note : Other combination sizes available on request.
Please contact us for more details.

How To Order

Body Material	Stem Packing	Size = P x P1	Connections (inlet x outlet)	Threads
C = Carbon Steel	P = PTFE	22 = 1/8" x 1/8"	FF = Female x Female	N = NPT (ANSI B 1.20.1)
S = SS 316		24 = 1/4" x 1/4"	MF = Male x Female	P = BSPP (BS 2779, ISO 228/1)
S4 = SS 304		33 = 3/8" x 3/8"	MM = Male x Male	B = BSPT (BS 21, ISO 7/1)
SL = SS 316L		44 = 1/2" x 1/2"		
B = Brass				

Options

TF : Compliance to NACE standard.

SG : For Oxygen service, valves are supplied cleaned, degreased and suitably packed.

GH : Material test certificate*

GO : Hydro test certificate

* Material test certificate will be provided for wetted parts only with chemical composition testing. For others, please consult factory.

Example

To place an order simply refer to the codes in the table.

Valve Type .Body Material + Stem Packing + Size + Connections + Threads + Options

Y2 + S + P + 24 + FF + N = Y2 . S . P . 24 . FF . N . Options

Standard Valve Materials

Valve	Body	Bonnet	Stem	Tip
Carbon Steel	CS A105	CS A105	SS 304	SS 304
Stainless Steel	SS 316	SS 316	SS 316	SS 316
Monel	Monel	Monel	Monel	Monel

Note : Specifications and dimensions given in this product catalogue represents the state of engineering at the time of printing .
 Modifications may take place and materials specified may be replaced by others without prior notice.